

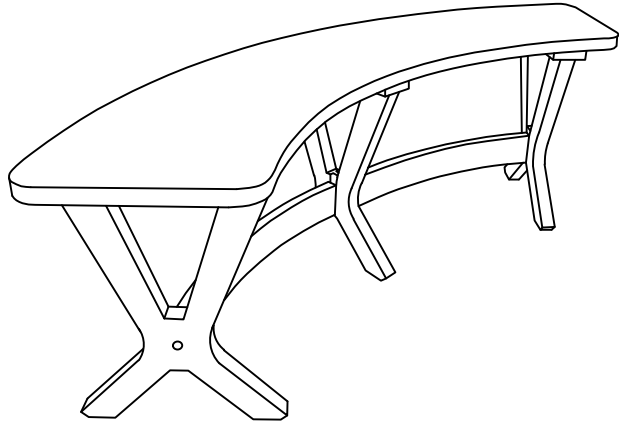
ASSEMBLY INSTRUCTION

IMPORTANT NOTE :




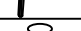

- PLACE ALL WOODEN PARTS ON A CLEAN AND SMOOTH SURFACE SUCH AS A RUG OR CARPET TO AVOID THE PARTS FROM SCRATCHED.
- BEFORE YOU ASSEMBLE THE TABLE, KINDLY FOLLOW THE ASSEMBLE INSTRUCTIONS STEP BY STEP.

PART LIST

NO	DESCRIPTION	QTY
A	WOODEN SEAT	1 pc
B	CENTER LEG	1 pc
C	LEG	2 pcs
D	SUPPORT BAR L & R	2 pcs

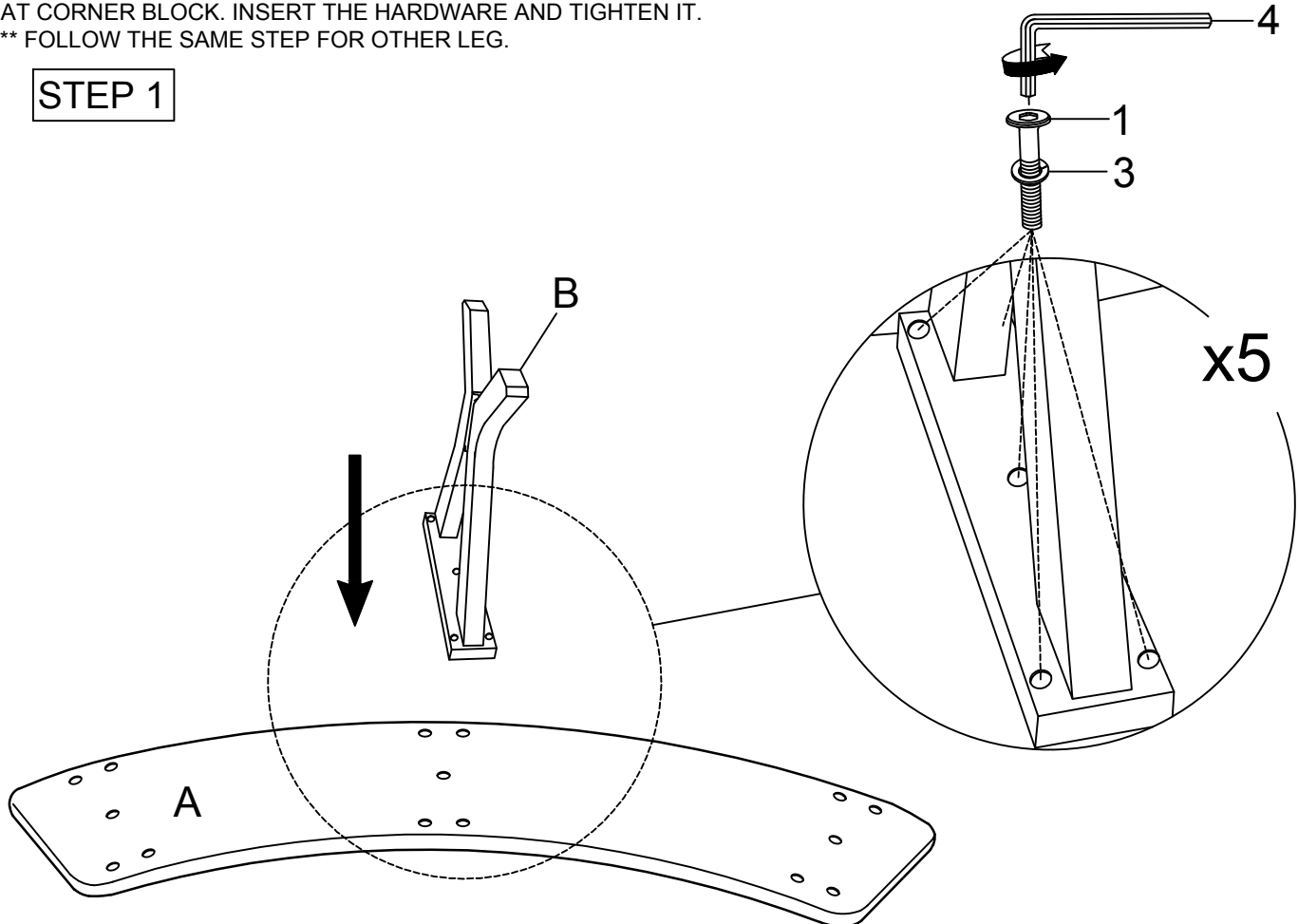


HARDWARE LIST

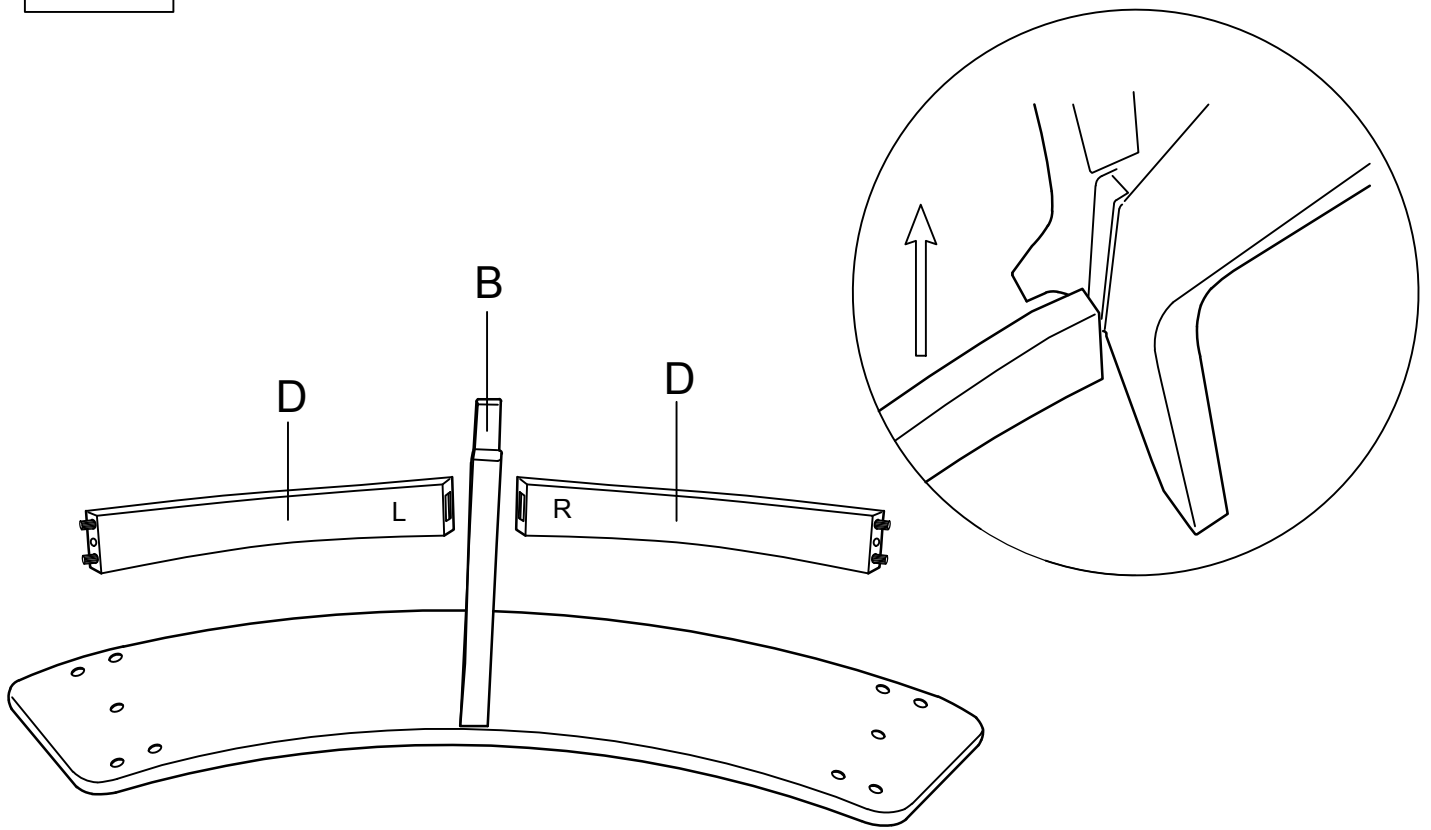
NO	DESCRIPTION	QTY
1	JCBC BOLT M6 x 30mm 	15 pcs
2	JCBC BOLT M6 x 50mm 	2 pcs
3	SPRING WASHER M6 	17 pcs
4	ALLEN KEY M4 x 110mm 	1 pc
5	WOOD BUTTON 13.9mm 	2 pcs

PLEASE FACE DOWN THE BENCH TOP ON SMOOTH SURFACE, ATTACH THE LEG AT CORNER BLOCK. INSERT THE HARDWARE AND TIGHTEN IT.
 ** FOLLOW THE SAME STEP FOR OTHER LEG.

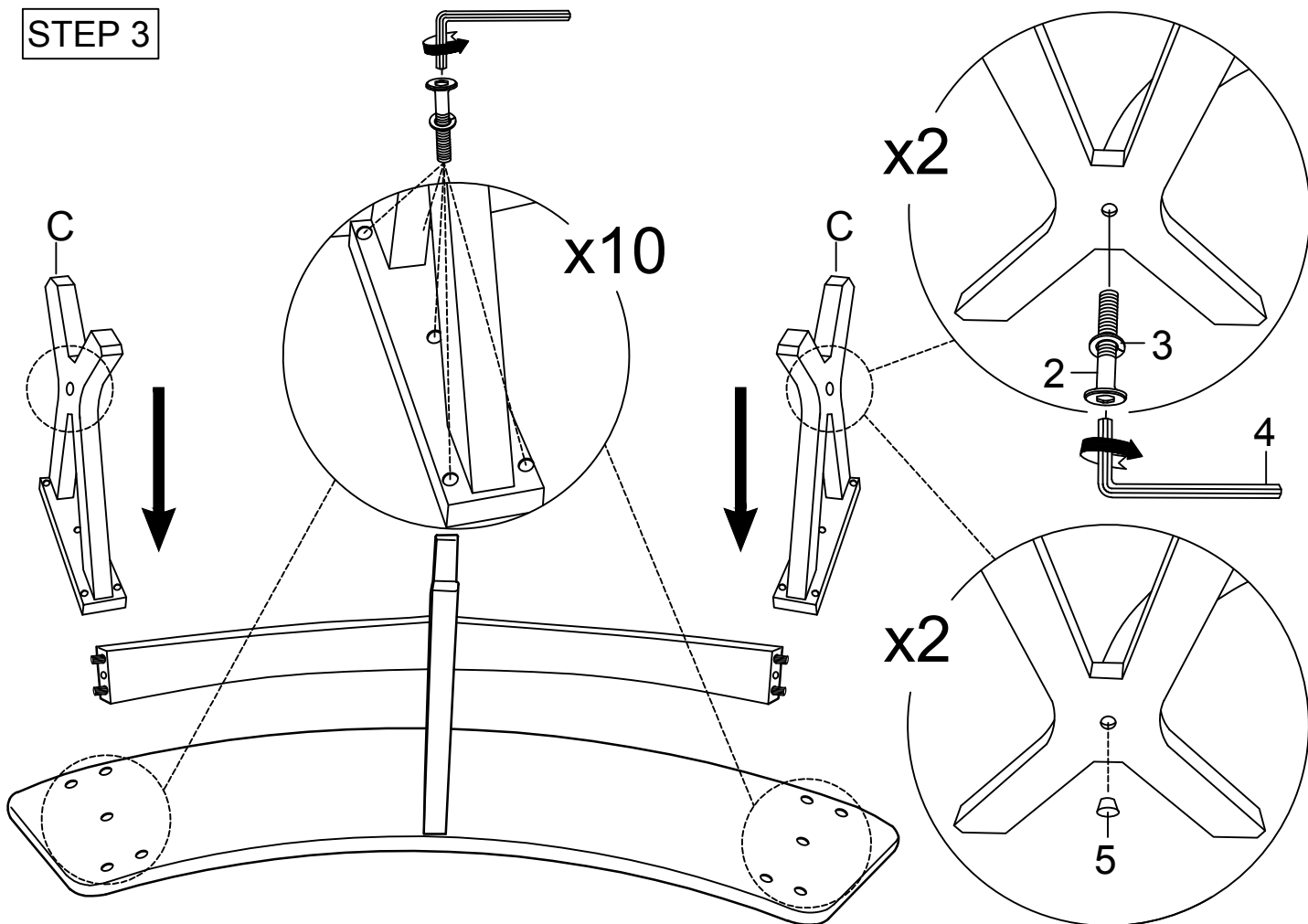
STEP 1



STEP 2



STEP 3



ASSEMBLY INSTRUCTION









Please read instructions carefully. Remove all wrapping material, staples and packing straps from the carton. Be sure you have all parts before you start assembling. Place all wooden furniture parts on a clean and flat soft surface, such as carpet or rug to prevent from being scratched.

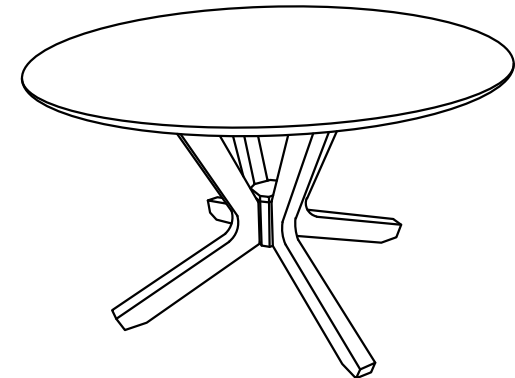
CAUTION : 1) DO NOT FULLY TIGHTEN THE NUTS OR SCREWS INITIALLY UNTILL ALL THE NUTS AND
 2) SCREWS ARE ASSEMBLED. TO AVOID CAUSING DAMAGE TO THE TREAD, DO NOT OVER-TIGHTEN
 THE NUTS OR SCREWS.
 KEEP ALL HARDWARE PARTS OUT OF RECH OF CHILDREN.

PARTS LIST

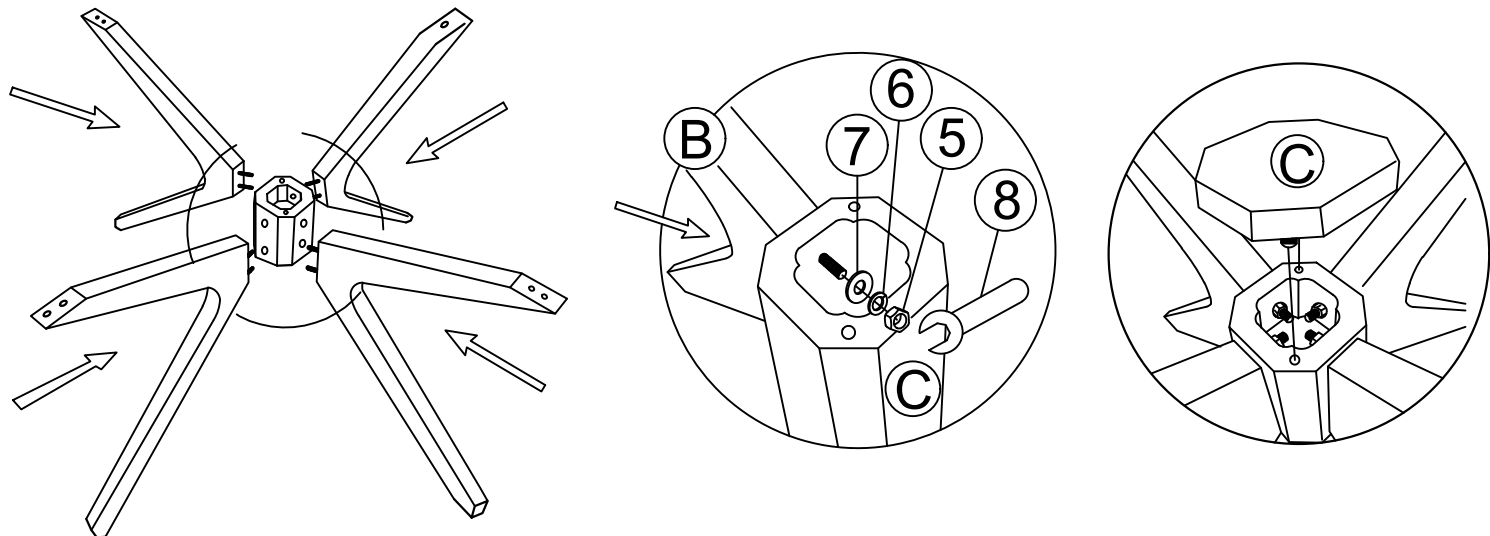
NO	DESCRIPTION	QTY
A	TABLE TOP	1
B	TABLE LEG	4
C	PEDESTAL	1

HARDWARE LIST

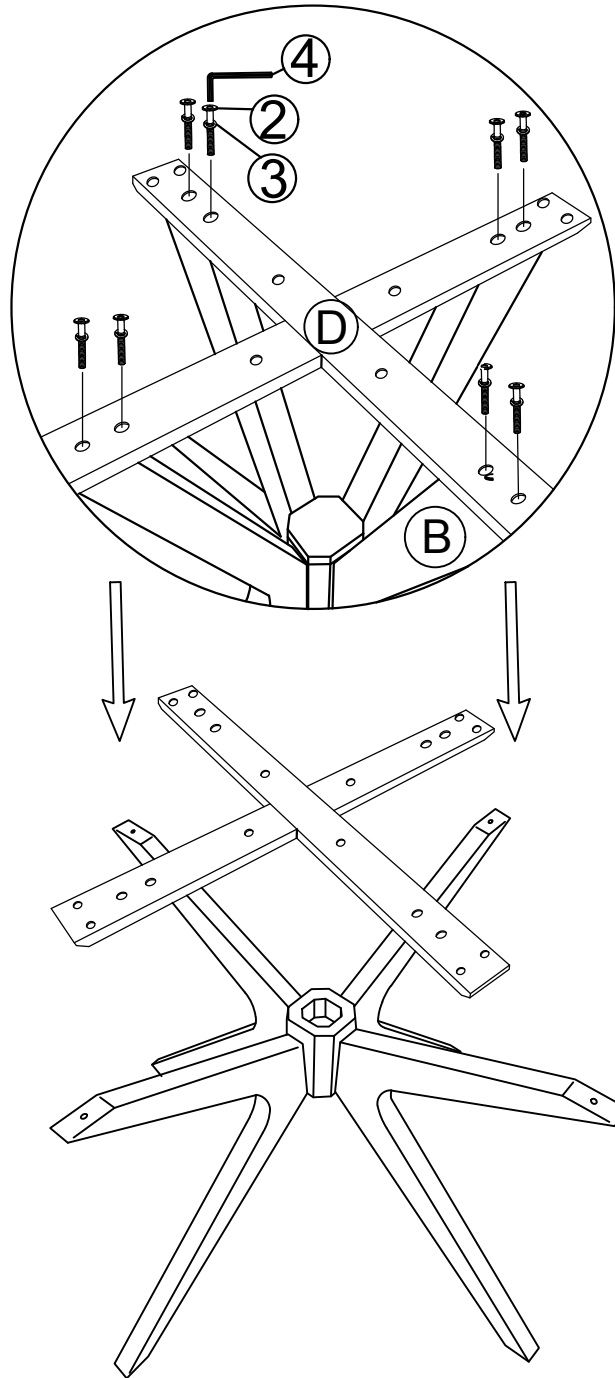
NO	DESCRIPTION	QTY
1	JCBC BOLT M6 x 30mm 	12
2	JCBC BOLT M6 x 40mm 	8
3	SPRING WASHER M6 	20
4	ALLEN KEY M4 x 110mm 	1
5	HEX COMB M8 	8
6	SPRING WASHER M8 	8
7	FLAT WASHER M8 	8
8	SPANNER 12.8mm 	1



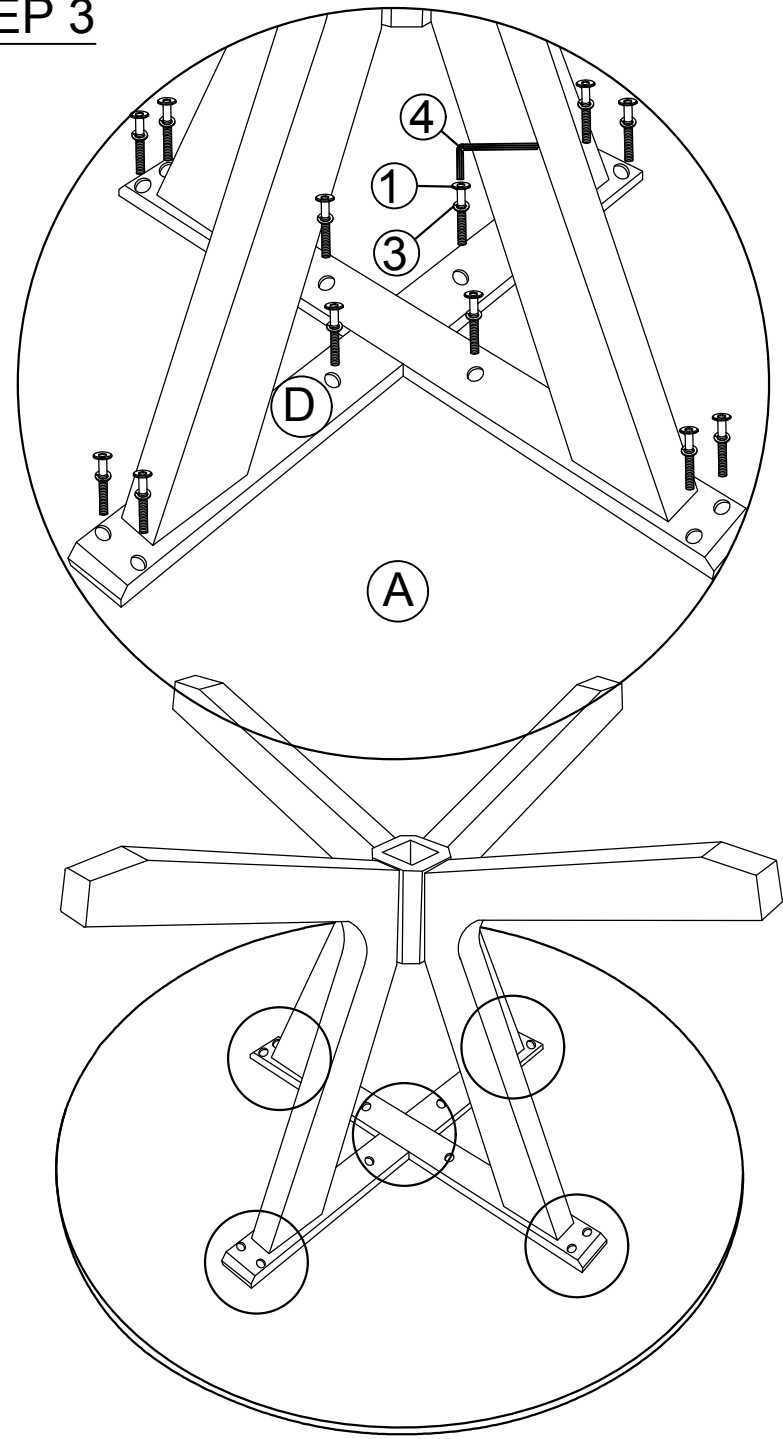
STEP 1



STEP 2



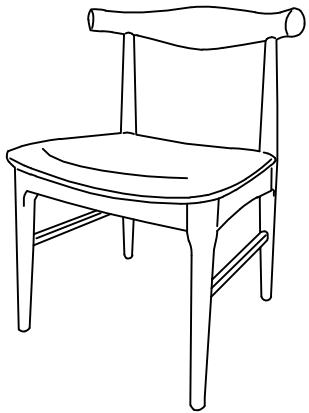
STEP 3



ASSEMBLY INSTRUCTION

Read instruction carefully. Remove all wrapping material, staples and straps from the carton. See hardware and furniture part list for guidance. Be sure you have all parts before you start assembling. Place all wooden furniture part on a clean and flat soft surface, such as carpet or rug to prevent from being scratched.

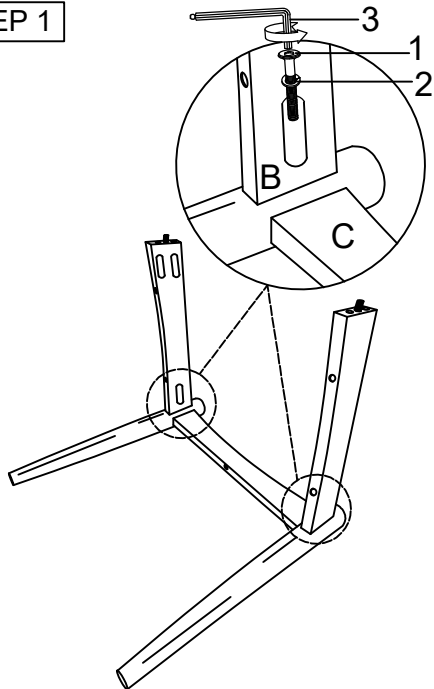
CAUTION: 1. DO NOT FULLY TIGHTEN THE NUTS OR SCREWS INITIALLY UNTIL ALL THE NUTS AND SCREWS ARE ASSEMBLED.
 2. DO NOT OVER TIGHTEN THE NUTS OR SCREWS.
 3. KEEP ALL HARDWARE PARTS OUT OF REACH CHILDREN.



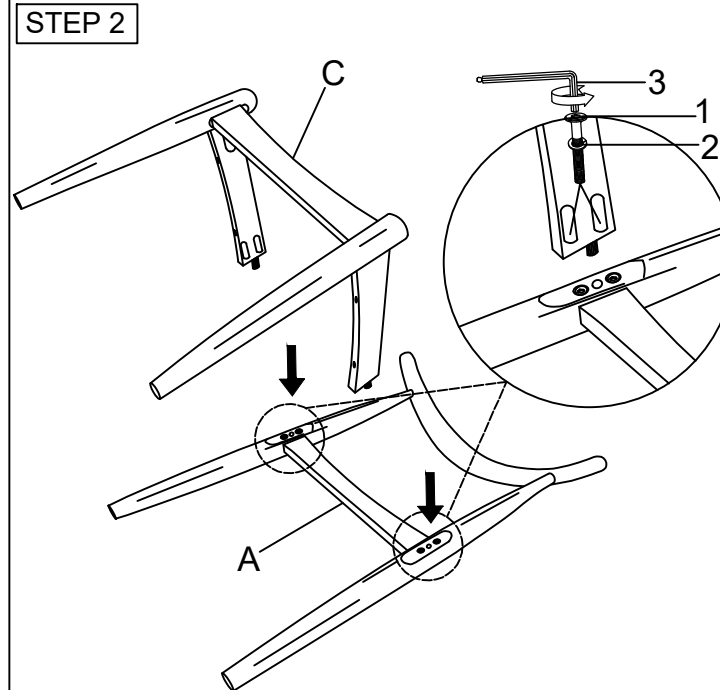
NO	PARTS LIST	QTY
A	BACK REST	1 PC
B	SIDE RAIL	2 PCS
C	FRONT LEG	1 PC
D	CUSHION SEAT	1 PC

NO	HARDWARE LIST	QTY
1	JCBC BOLT M6 x 45mm	6 PCS
2	SPRING WASHER M6	6 PCS
3	ALLEN KEY M4 x 110mm	1 PC
4	CSK-SCREW M4 x 32mm	6 PC
5	CSK-SCREW M3.5 x 16mm	8 PC
6	L-BRACKET	4 PC

STEP 1



STEP 2



STEP 3

